

# Data Sheet

## Outdoor

# Constant Voltage

# Power Supply



## Table of Contents

General Informations: .....	3
Electrical Characteristics.....	3
Circuit Diagram:.....	4
Loading Diagram: .....	5

## General Informations:

### Features:

- Compact size, aluminium housing
- High efficiency professional IC for LED
- Wide input range (170~250VAC)
- Stable constant voltage output
- Waterproof IP67
- 100% burn-in tested
- Super cooling design, long life span
- Overload/short circuit protection
- Proven reliable Quality

### Application Notes :

- All parameters NOT specially mentioned are measured at 230VAC input, rated load and 25 of ambient temperature.
- Ripple & noise are measured at 20MHz of bandwidth by using a 12" twisted pair-wire terminated with a 0.1uf & 47uf parallel capacitor.
- Tolerance : includes set up tolerance, line regulation and load regulation.
- For LED related applications, constant current operation region is within 70% ~100% rated output voltage, but please reconfirm special electrical requirements for some specific system design.

## Electrical Characteristics

Table 1: Electrical Characteristics

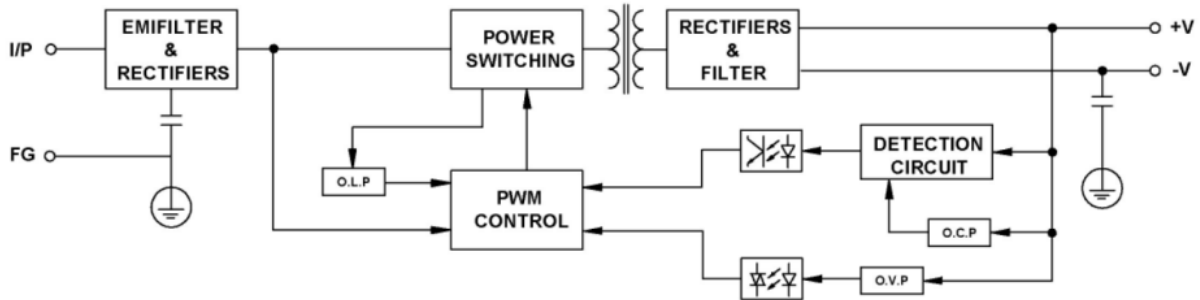
Code	Size(L*W*h)	Case	Voltage	Current	Power	Efficiency
J12V3.3AIP	232x37x25	Metal	12 V	3.33 A	40 W	>84%
J12V5AIP	195X52X35	Metal	12 V	5.0 A	60 W	>84%
J12V8.3AIP	202x71x45	Metal	12 V	8.3 A	100 W	>84%
J12V12.5AIP	244x71x45	Metal	12 V	12.5 A	150 W	>86%
J12V16.6AIP	215x127x59	Metal	12 V	16.6 A	200 W	>86%

### Absolute Maximum Ratings

Table 2: Maximum Ratings

Parameter	Maximum Performance
Storage Temperature Range	-40 ~ +80° C
Operating Temperature Range	-25 ~ +50° C
Frequency Range	47-63 Hz
Over Current	110%-150%
Load Regulation	2%
Voltage Tolerance	0.5V

### Circuit Diagram:



**Loading Diagram:**

